

DEUTZ TCD 7.8

For agricultural machinery

190–291 kW | 255–390 hp at 2100–2200 min⁻¹/rpm | EU Stage V / US EPA Tier 4



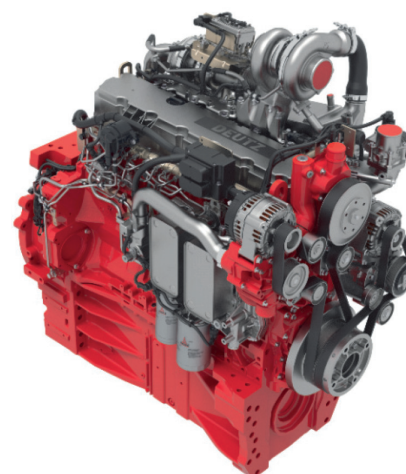
The DEUTZ TCD 7.8 is the compact, water-cooled 6-cylinder inline engine for agricultural machinery with a power range from 255 to 390 hp. It already complies with the requirement of EU Stage V effective January 2019. The engine has two-stage turbocharging, charge air-cooling and cooled external exhaust gas recirculation.

DISCOVER THE TCD 7.8

- Water-cooled 6-cylinder inline engine with two-stage turbocharging, charge air cooling and cooled external exhaust gas recirculation.
- Engine and exhaust aftertreatment (EAT) are optimised for highest total system efficiency and thus ensure minimised fuel and total operating cost.
- The powerful DEUTZ Common Rail (DCR[®]) injection system and the electronic engine control (EMR 4) with intelligent link to the drive management ensure optimum engine performance at low fuel consumption.
- 500 h oil change intervals and easy changing of the engine fluids reduce the running cost and increase the availability of the machinery.

- 100% power take-off at flywheel and front end.
- Best cold starting performance even under extreme conditions.
- The extremely compact engine design with structural oil pan and a customer oriented, modular system of optional add-on parts reduce the installation cost and increase the number of applications.
- Consistent installation and connection dimensions of the engine facilitate the changeover of existing installations to the next stage of the emission legislation.
- The engines meet the requirements of the EU Stage IV and US EPA Tier 4 with DVERT[®] selective catalytic reduction (SCR) and particulate filter (DPF). Through the use of the DPF they already comply with the

EU Stage V emissions standard expected from 2019.* A variant without EAT is available as an option for less regulated markets.



TECHNICAL DATA

Engine type		TTCD 7.8 L6
No. of cylinders		6
Bore/stroke	mm in	110/136 4.3/5.4
Displacement	l cu in	7.8 476
Max. nominal speed	min ⁻¹ rpm	2100

Engine type		TTCD 7.8 L6
Power output as per ISO 14396 ¹⁾	kW hp	291 390
at speed	min ⁻¹ rpm	2100
Max. power	kW hp	291 390
at speed	min ⁻¹ rpm	1900
Max. torque	Nm lb/ft	1565 1154
at speed	min ⁻¹ rpm	1400-1600
minimum idling speed	min ⁻¹ rpm	800
Specific fuel consumption ²⁾	g/kWh lb/hph	195 0.32
Weight	kg lb	1225 2701

* Based on the proposal by the EU Commission COM (2014) 581 final from 25.09.2014.

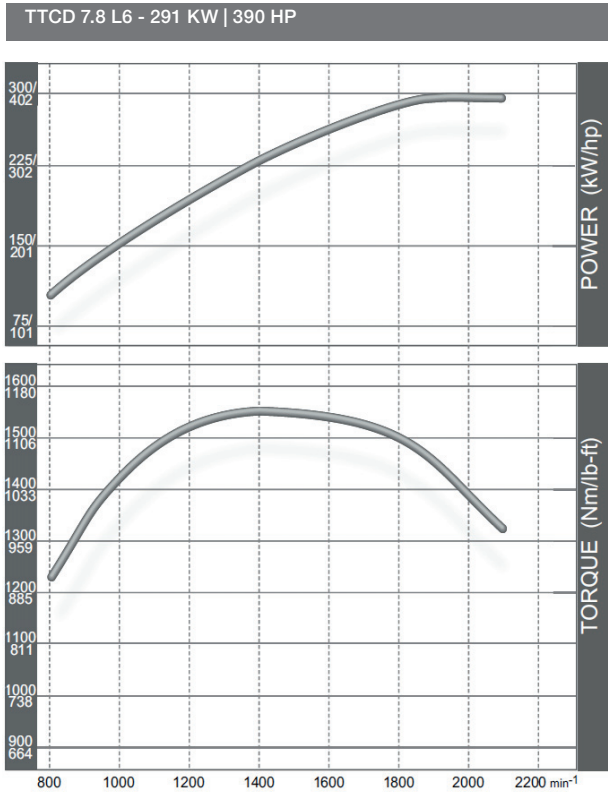
1) Power data without deduction of fan power.

2) Best point consumption refers to diesel with a density of 0.835 kg/dm³ at 15°C.

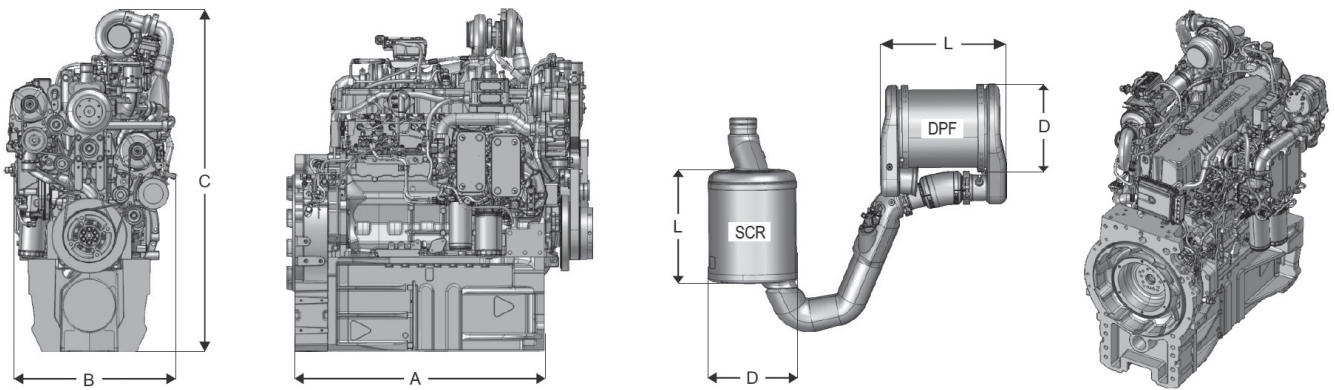
The engine company.



TORQUE CURVE



DIMENSIONS



TTCD 7.8 L6	mm in	A		B		C		DPF		SCR		DVERT®-AGN					
		D	L	D	L	D	L	DPF	SCR								
		1028	41	710	28	1403	55	349	14	505	20	355	14	477	19	■	■

■ Standard

Note: The engine dimensions and weights vary depending on the scope of delivery.

DEUTZ AG
 Ottostraße 1
 51149 Köln
 Deutschland
 Tel. +49 221 822-0
 Fax +49 221 822-3525
 info@deutz.com
 www.deutz.com

DEUTZ Asia-Pacific (Pte) Ltd.
 10 Gul Crescent
 Singapore 629523
 Phone: +65 66 72 7800
 Fax: +65 62 64 1779 / 62 65 3007
 E-mail: dap@deutz.com
 www.deutz.com.sg
 Lorem Ipsum dolor

MAGIDEUTZ S.A.
 6, Rue Sergent Khalich Mohamed
 B.P. 13024
 20310 Casablanca, Morocco
 Phone: +212 (0) 522 30 30 22/23
 Fax: +212 (0) 522 30 39 61
 E-mail: magid@deutz.ma
 www.deutz.ma

