

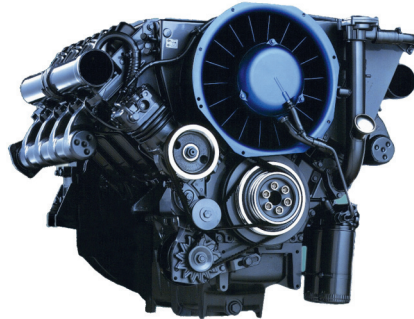
# FL 413FW

for applications in mines

102 - 204 kW | 137 - 274 hp at 1500 - 2300 min<sup>-1</sup> | rpm

US-MSHA

- Air-cooled 6-, 8-, 10- and 12-cylinder V engines.
- The robust engine design guarantees high operational safety, also even under extreme conditions when working underground.
- The very compact engine design of the V engine and the integrated cooling system reduce the installation costs.



- Low operating costs due to low fuel consumption, low amounts of ventilation, as well as long maintenance intervals with low maintenance requirements.
- Capacity: 1.6 l/cylinder, modular system with single cylinders.
- Certified in accordance with US-MSHA (Mine Safety and Health Administration).

## Technical data

Engine type		F6L 413FW	F8L 413FW	F10L 413FW	F12L 413FW
No. of cylinders		6	8	10	12
Bore/stroke	mm   in	125/130   4.92/5.12	125/130   4.92/5.12	125/130   4.92/5.12	125/130   4.92/5.12
Displacement	l   cu in	9.6   584	12.8   779	15.9   974	19.1   1168
Maximum nominal speed	min <sup>-1</sup>   rpm	2300	2300	2300	2300

Engine type		F6L 413FW	F8L 413FW	F10L 413FW	F12L 413FW
Power output as per ISO 14396 <sup>1)</sup>	kW   hp	102   137	136   182	170   228	204   274
at speed	min <sup>-1</sup>   rpm	2300	2300	2300	2300
Max. torque	Nm   lb/ft	500   369	665   490	830   612	995   734
at speed	min <sup>-1</sup>   rpm	1500	1500	1500	1500
Minimum idling speed	min <sup>-1</sup>   rpm	600	600	600	600
Specific fuel consumption <sup>2)</sup>	g/kWh   lb/hph	276   0.45	276   0.45	276   0.45	276   0.45
Weight as per DIN 70020 Part 7A <sup>3)</sup>	kg   lb	660   1455	830   1830	990   2183	1120   2469

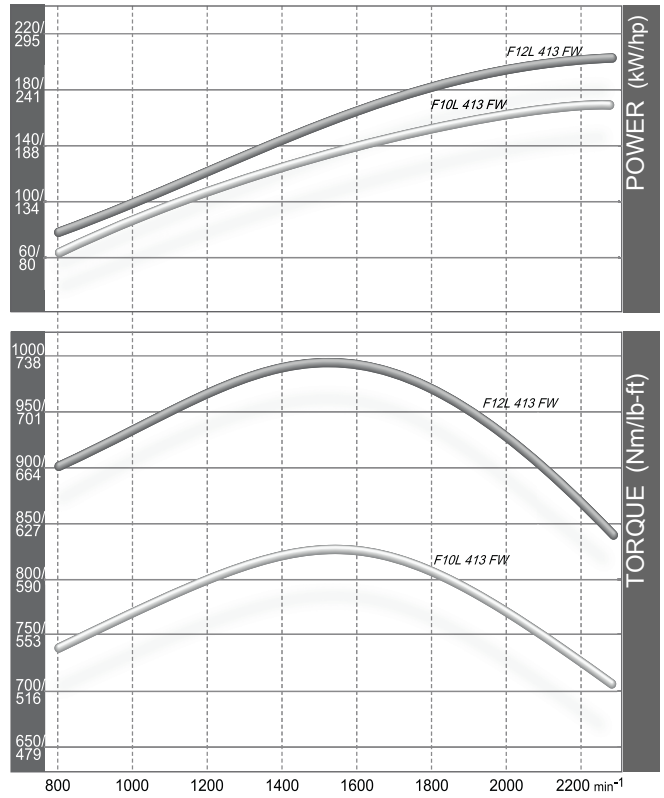
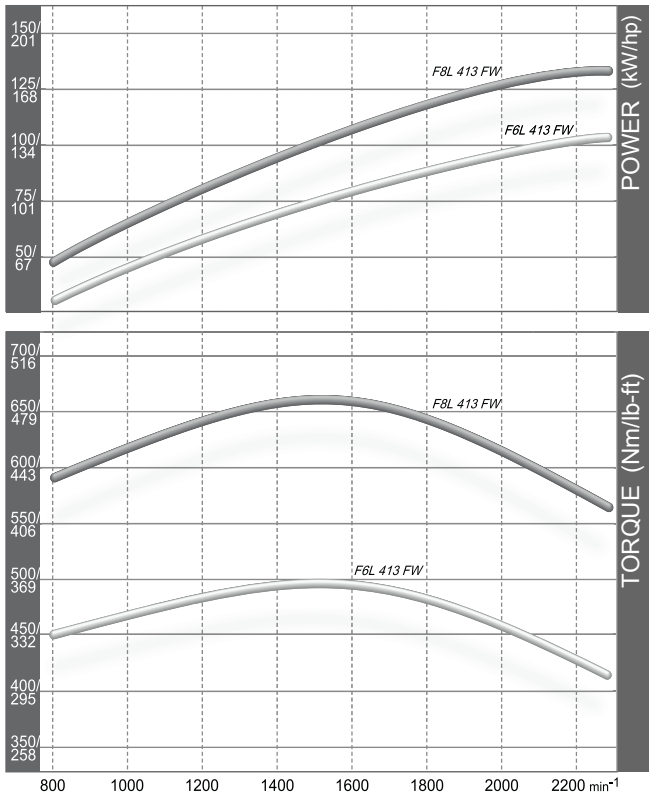
- 1) Power data without deduction of fan power.
- 2) Best full load consumption, relates to diesel fuel with a density of 0.835 kg/dm<sup>3</sup> at 15°C.
- 3) Without starter/dynamo, but with a flywheel and flywheel housing.

The data on this data sheet are for information purposes only and are not binding values. The data in the quotation is definitive.

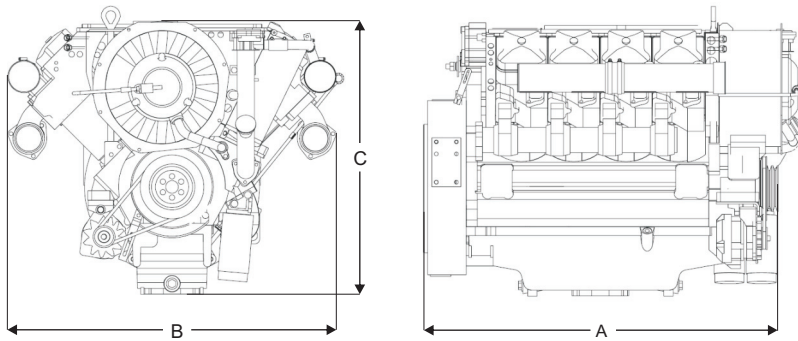
## Torque curve

F6L 413FW - 102 kW|137 hp  
F8L 413FW - 136 kW|182 hp

F10L 413FW - 170 kW|228 hp  
F12L 413FW - 204 kW|274 hp



## Dimensions



		A	B	C
F6L 413FW	mm   in	915   36	1038   41	860   34
F8L 413FW	mm   in	1080   43	1038   41	860   34
F10L 413FW	mm   in	1283   51	1038   41	999   39
F12L 413FW	mm   in	1448   57	1038   41	1007   40

Note: The engine dimensions and weights vary depending on the scope of delivery.

For more information please contact the DEUTZ AG Köln or the responsible sales partner.

